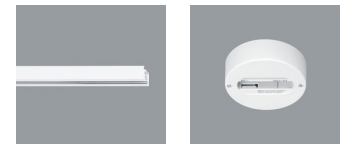


**43188.001** Black  
 LED module: 6.5W 3000K warm white  
 Version 5  
 Narrow framing, filter

**Product description**  
 Cylindrical light head: cast aluminium, powder-coated. 270° tilt.  
 Housing: polymer, rotatable on 3-circuit adapter through 360°.  
 ERCO control gear, dimmable. Rotary control for brightness regulation.  
 3-phase adapter for ERCO 220-240VAC 50/60Hz track: polymer, black.  
 LED module: high-power LEDs on metal-core PCB.  
 Contour attachment with framing attachment: polymer, black, rotatable through 360°.  
 Fresnel lens.  
 Holder with projection lens, continuously focusable.  
 Dimming with external dimmers possible (trailing edge).  
 LED chip: Osram  
 Protection Class II  
 Weight 0.62kg

Technical data	
Luminous flux	845lm
Connected load	9.3W
Luminaire efficacy	130lm/W
Colour deviation	1.5 SDCM
Colour rendition index	CRI 97
Lifespan/ Lumen maintenance (LED manufacturer specifications)	50000h/ L90/B10 ≤50000h
LED failure rate	L90 ≤100000h
Dimming range	0.1% ≤50000h
Dimming method	0%-100%
Dimming method	0-10V
Protection class	IP20
Lamps operating temperature	-10°C~+60°C
Beam angle - rotatable	30° - 360°



**Mounting**  
 ERCO 3-circuit track  
 Hi-trac 3-circuit track  
 1-circuit singlet

For your regional contact in the ERCO Sales network click here [www.erco.com/contact](http://www.erco.com/contact)

Technical Region: 220-240VAC 50/60Hz  
 We reserve the right to make technical and design changes.  
 Edition: 10.07.2023  
 Current version under [www.erco.com/43188.001](http://www.erco.com/43188.001)

## Planning data

Cleaning (a)	1				2				3			
	P	C	N	D	P	C	N	D	P	C	N	D
Ambient conditions												
LMF	0.94	0.89	0.81	0.75	0.91	0.80	0.69	0.59	0.87	0.74	0.61	0.52
RSM	0.99	0.97	0.95	0.92	0.98	0.97	0.95	0.92	0.98	0.97	0.95	0.92
F												
Hours of operation (h)	1000	5000	10000	20000	30000	40000	50000					
LLM	1.00	0.99	0.98	0.96	0.94	0.92	0.90					
F	1	1	1	1	1	1	1					
LSF												
MF	LMFxRSMFxLLMFxLSF											
MF	Maintenance Factor											
LMF	Luminaire Maintenance Factor											
RSMF	Room Surface Maintenance Factor											
LLMF	Lamp Lumens Maintenance Factor											
LSF	Lamp Survival Factor											
P	Room pure											
C	Room clean											
N	Room normal											
D	Room dirty											

### Data according to regulations

2019/2020/EU supplemented by 2021/341/EU and 2019/2015/EU supplemented by 2021/340/EU Energy Consumption Labelling Ordinance

This product contains a light source of efficiency class F

Due to thermal and photometric properties as well as to protect electronic components from ESD (electrostatic discharge) the light source cannot be changed by the customer.

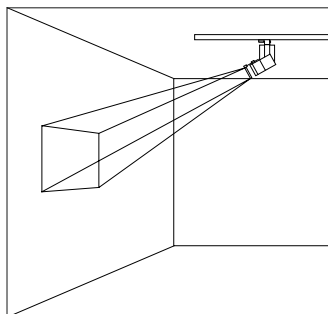
ID EPREL: 696982

Model identifier: 3000056357

Download data sheets for control gear and disassembly instructions at [www.erco.com/slr](http://www.erco.com/slr)

### Technical data in accordance with international norms and standards

IEC 60598-1	Luminaires – Part 1: general requirements and tests
IEC 60598-2-2:1997	Luminaires – Part 2: Particular requirements - Section 2: Recessed luminaires
IEC 62031	LED modules for general lighting – safety requirements
IEC 62471	Photobiological safety of lamps and lamp systems
EN13032-4	Light and lighting – measurement and representation of photometric data
CIE 13	Method of measuring and specifying colour rendering properties of light sources
CISRP 15:2018	Limits and methods of measurement of radio disturbance characteristics of electrical lighting and similar equipment
LM79	Method for measuring electrical and photometric properties of LED products
LM80	Method for measuring lumen maintenance of a group of photoelectric emitting diodes (LED) at different operating temperatures



Measured illuminance levels (new values) E (lx) and maximum edge length D (m) of square projection through framing attachment dependent on projection distance h (m)

Warm white 6.5W 845lm

h(m)	E(lx)	D(m)
		30°
1	1618	0.43
2	400	0.85
3	156	1.28
4	84	1.65
5	61	2.10